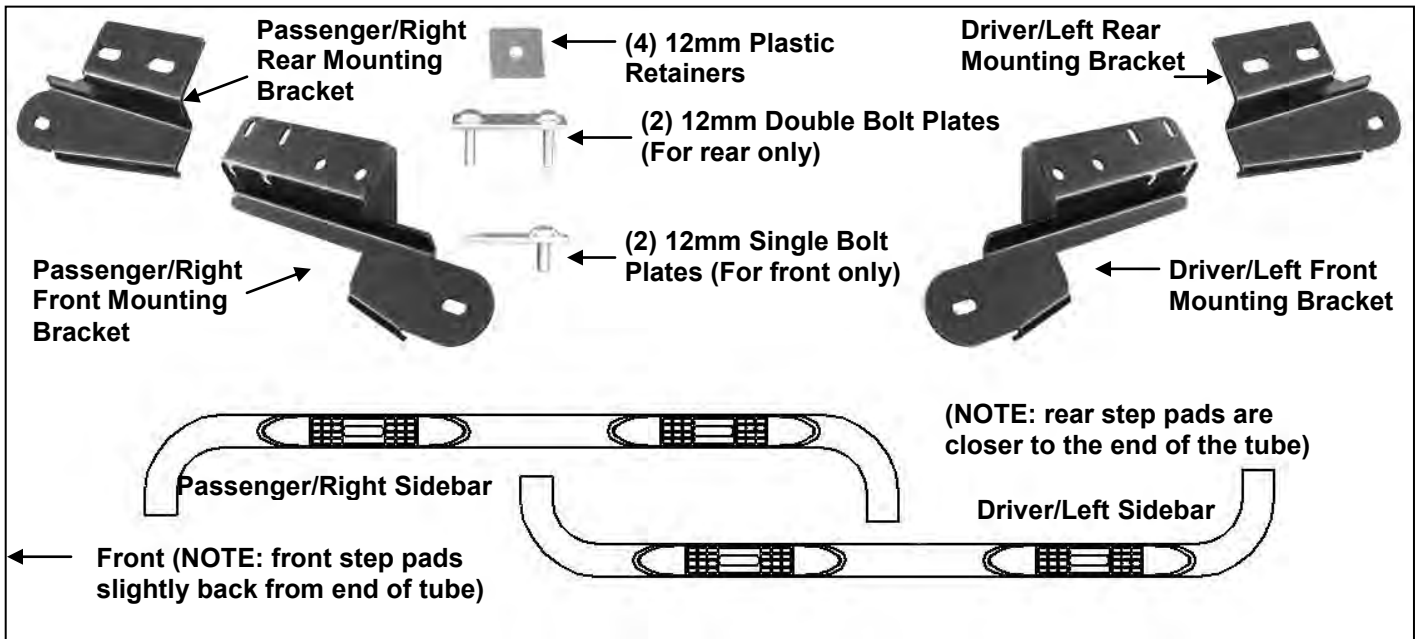


PARTS LIST: PART# SSB3-F15004SCS2-WB SSB3-F15004SCBK-WB

Qty	Description	Qty	Description
1	Driver/Left Sidebar	2	12mm x 45mm Double Bolt Plates
1	Passenger/Right Sidebar	4	12mm Plastic Retainers
1	Driver/Left Front Mounting Bracket	6	12mm x 32mm OD x 3mm Flat Washers
1	Passenger/Right Front Mounting Bracket	6	12mm Lock Washers
1	Driver/Left Rear Mounting Bracket	6	12mm Hex Nuts
1	Passenger/Right Rear Mounting Bracket	4	8mm Clip Nuts
4	1/2" x 2" Hex Bolts	8	8-1.25mm x 30mm Hex Bolts
4	1/2" x 1-1/2" x 1/8" Flat Washers	12	8mm x 24mm OD x 2mm Flat Washers
4	1/2" Lock Washers	8	8mm Lock Washers
2	12mm x 40mm Single Bolt Plates	4	8mm Hex Nuts



PROCEDURE:

- 1. REMOVE CONTENTS FROM BOX. VERIFY ALL PARTS ARE PRESENT. READ INSTRUCTIONS CAREFULLY BEFORE STARTING INSTALLATION.**
- Starting at the passenger side-front of the vehicle, locate the round and rectangular openings in the inner body panel, **(Figure 1B)**. **NOTE:** Mounting holes may be covered with rubber plugs and/or sealing tape. Remove to uncover mounting locations.
- Partially thread (1) 12mm Plastic Retainer onto (1) 12mm Bolt Plate, **(Figure 1A)**. Insert the Bolt Plate into the large round hole. Once inserted, thread the Plastic Retainer down the Bolt Plate until it is flush against the body panel, **(Figure 1B)**. **NOTE:** When properly installed, the Plastic Retainer is designed to prevent the Bolt Plate from falling into the body panel during Bracket installation.
- Select (2) 8mm Clip Nuts. Insert the Clip Nuts, (with the nut portion to the inside), into the rectangular opening. Line up the threaded nut with the factory round hole, **(Figure 1B)**.
- Select the passenger side front Mounting Bracket. Attach the Mounting Bracket to the Bolt Plate with (1) 12mm Flat Washer, (1) 12mm Lock Washer and (1) 12mm Hex Nut, **(Figure 2)**. Do not tighten hardware at this time. Line up the center and rear slots in the Mounting Bracket with the previously installed Clip Nuts. Attach the Bracket to the Clip Nuts with (2) 8mm Hex Bolts, (2) 8mm Lock Washers and (2) 8mm Flat Washers. Do not tighten hardware at this time.
- Next, line up the two holes in the bottom of the Mounting Bracket with the factory holes in the bottom of the body panel. Bolt the Mounting Bracket to the body panel using the included (2) 8mm x 30mm Hex Bolts, (4) 8mm Flat Washers, (2) 8mm Lock Washers and (2) 8mm Hex Nuts, **(Figure 2)**. **NOTE:** Insert

the Hex Bolts with the Flat Washers up, from the outside-in and through the Bracket. Snug all hardware but do not tighten at this time.

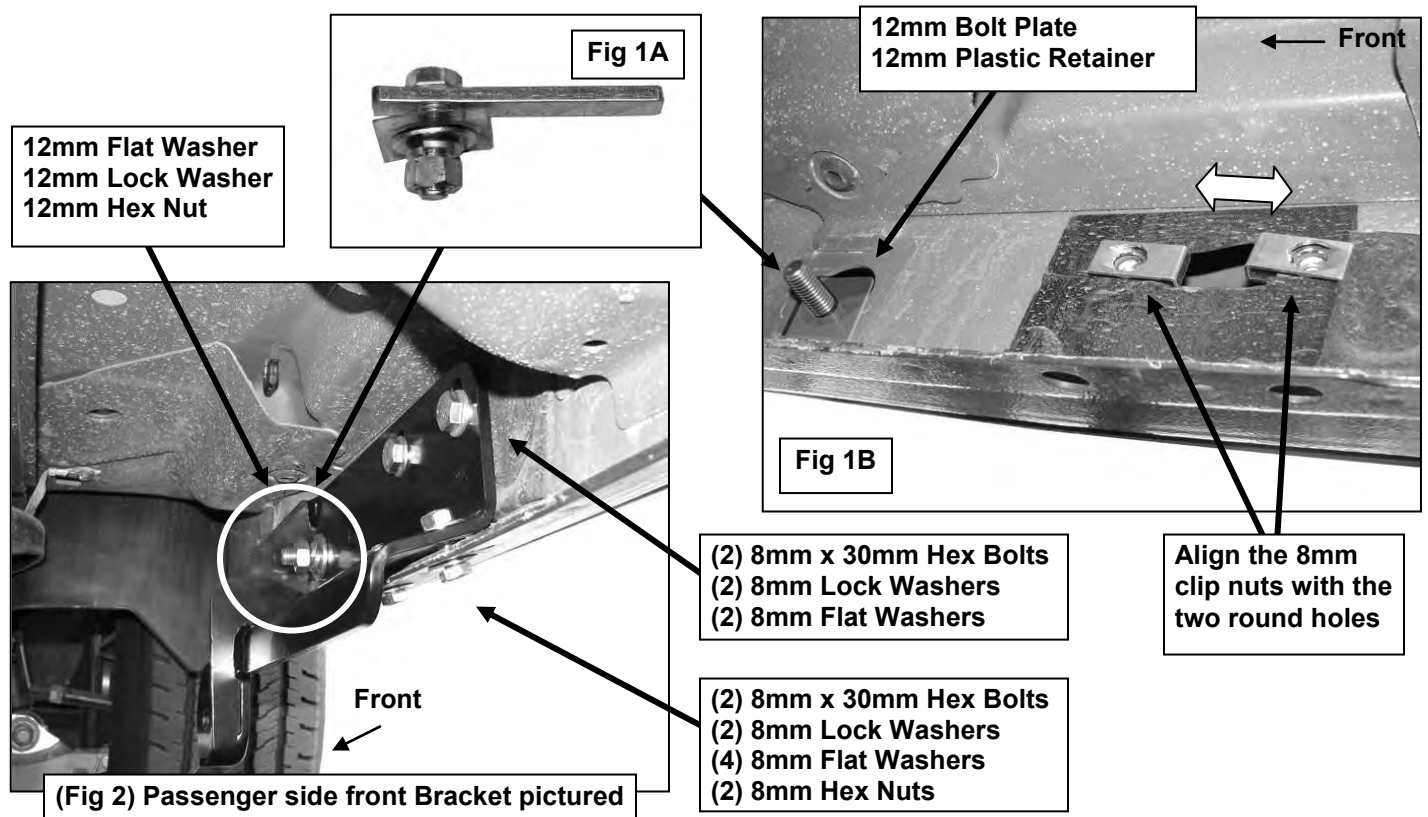
7. Move toward the rear to the back of the cab and locate the factory large round hole and smaller oval hole in the inner body panel. **NOTE:** Remove rubber plugs or sealing tape as necessary. Select (1) 12mm Double Bolt Plate, (**Figure 3A**). Insert the Bolt Plate into the larger round opening and out the smaller oval hole, (**Figure 3B**). Next, thread (1) 12mm Plastic Retainer onto the threaded end so that the retainer covers the smaller of the two holes, (**Figure 3B**). Thread the Retainer all of the way down until tight against the sheet metal to help hold the Bolt Plate in place.
8. Select the passenger side Rear Mounting Bracket. Attach the Bracket to the Bolt Plate with (2) 12mm Flat Washers, (2) 12mm Lock Washers and (2) 12mm Hex Nuts, (**Figure 4**). Snug all hardware but do not tighten at this time.
9. Carefully unpack and select the passenger Sidebar. Position the Sidebar up to the Mounting Brackets and attach using the included (2) 1/2" x 2" Hex Bolts, (2) 1/2" Lock Washers, and (2) 1/2" Flat Washers, (**Figure 5**). Snug but do not tighten at this time.
10. Level and adjust Sidebar and tighten all hardware.
11. Repeat **Steps 2 – 10** for driver Sidebar installation.
12. Do periodic inspections of the installation to make sure all hardware is secure and tight.

To protect your investment, wax this product after installing. Regular waxing is recommended to add a protective layer over the finish. Do not use any type of polish or wax that may contain abrasives that could damage the finish.

For stainless steel: Aluminum polish may be used to polish small scratches and scuffs on the finish. Mild soap may be used also to clean the Sidebar.

For gloss black finishes: Mild soap may be used to clean the Sidebars.

PASSENGER SIDE INSTALLATION PICTURED



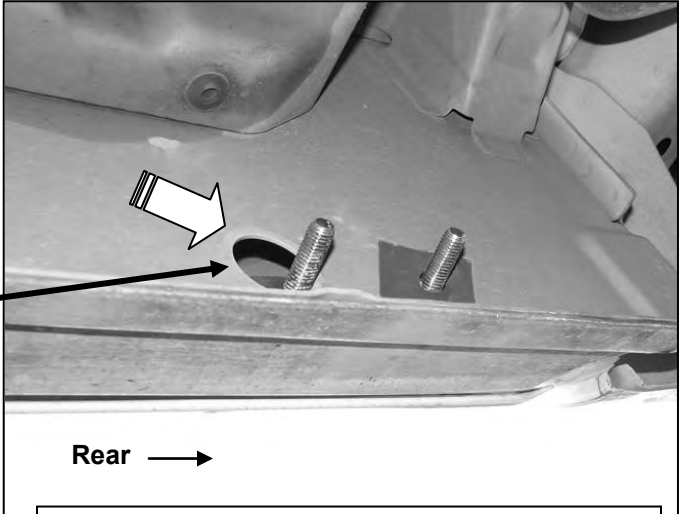
PASSENGER SIDE INSTALLATION PICTURED



**(Fig 3A) 12mm
Double Bolt Plate**

Insert the 12mm Double Bolt Plate into the large round hole and back out the oval hole. Thread the 12mm Plastic Retainer onto the threaded end and cover the oval hole.

Remove sealing tape and/or rubber grommets to uncover the rear location for the Mounting Brackets



(Fig 3B) Passenger side rear mounting location pictured. Shown with Plastic Retainer in place

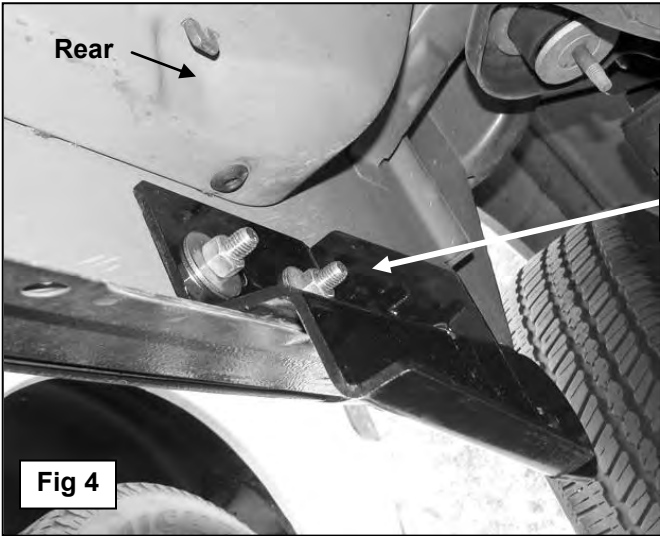


Fig 4

- 2) 12mm Flat Washers
- 2) 12mm Lock Washers
- 2) 12mm Hex Nuts

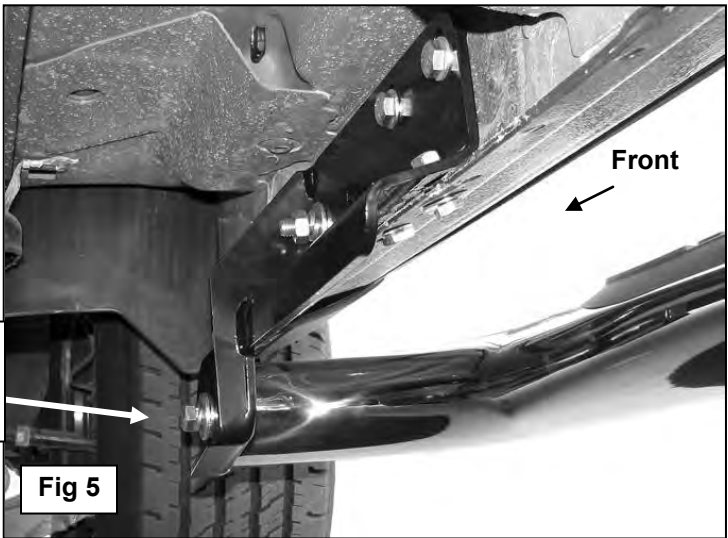
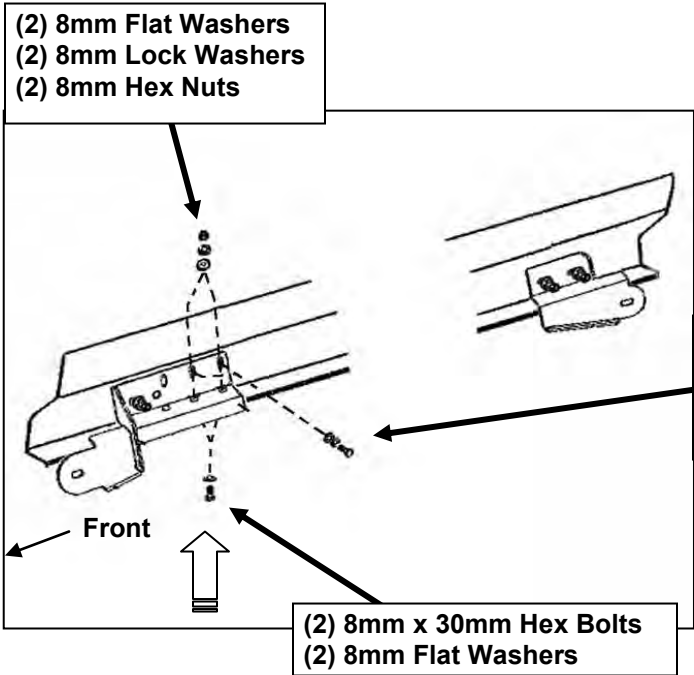
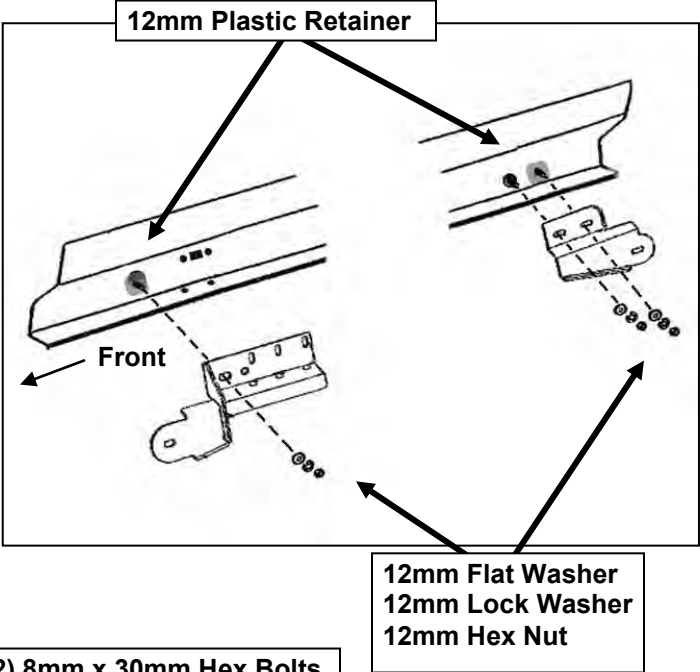
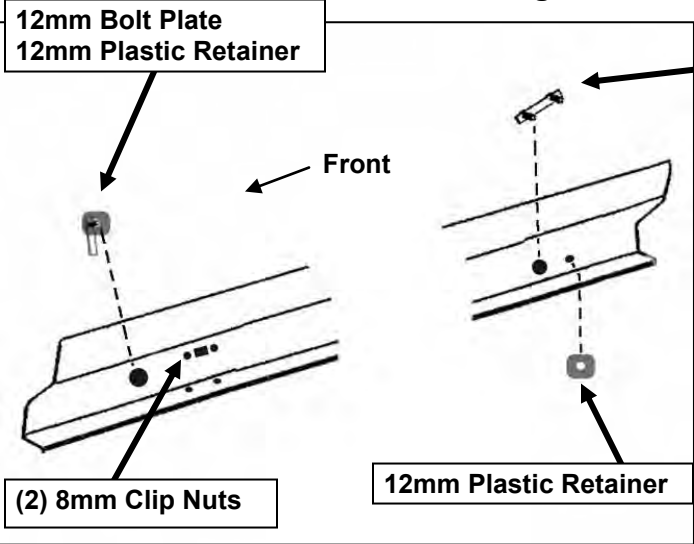


Fig 5

- 1/2" x 2" Hex Bolts
- 1/2" Flat Washers
- 1/2" Lock Washers

Passenger Side Installation Illustrated



(2) 8mm x 30mm Hex Bolts
(2) 8mm Lock Washers
(2) 8mm Flat Washers
Thread into 8mm Clip Nuts

