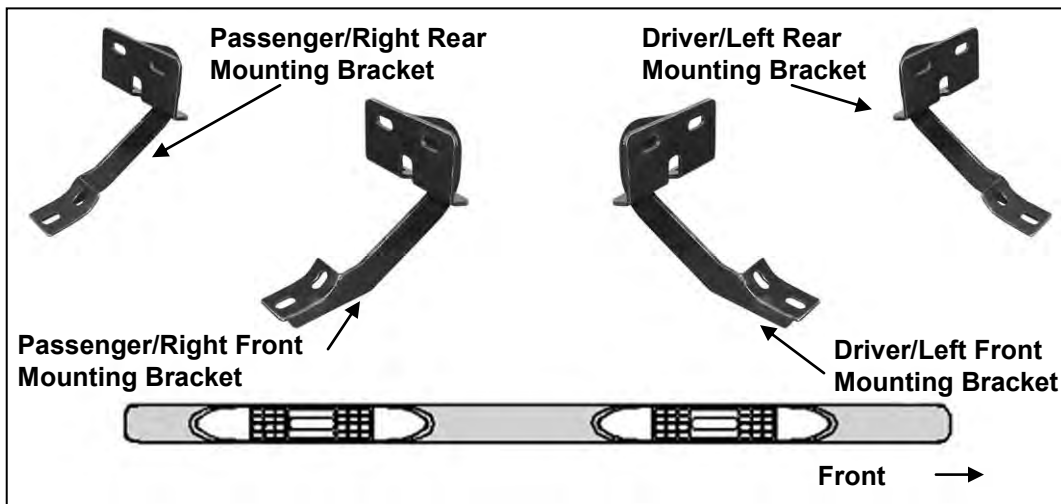


INSTALLATION INSTRUCTIONS
4" STRAIGHT OVAL SIDE BAR FOR
FORD F150 SUPER CREW 04-08
PART# SSB4-F15004SWS2-WB

PARTS LIST:

Qty	Description	Qty	Description
1	Driver/Left Side Bar	16	8-1.25mm x 30mm Hex Bolts
1	Passenger/Right Side Bar	8	8-1.25mm x 25mm Hex Bolts
2	Driver/Left Front-Passenger/Right Rear Mounting Brackets	32	8mm x 24mm OD x 2mm Flat Washers
2	Passenger/Right Front- Driver/Left Rear Mounting Brackets	24	8mm Lock Washers
8	8mm Deep Clip Nuts	8	8mm Hex Nuts



PROCEDURE:

- 1. REMOVE CONTENTS FROM BOX. VERIFY ALL PARTS ARE PRESENT. READ INSTRUCTIONS CAREFULLY BEFORE STARTING INSTALLATION.**
- Starting on the driver side of the vehicle, locate the (2) holes in the pinch weld to find the factory mounting holes in the inner side panel, **(Figure 1)**. **NOTE:** The inner holes may be covered with sealing tape or insulation. Slide the 8mm Clip Nuts into the opening with the nut towards the inside. Line up the threaded nut on the clip with the round holes, **(Figure 1)**.
- Partially attach the driver side Mounting Bracket to the Clip Nuts with the included (2) 8mm x 30mm Hex Bolts, (2) 8mm Lock Washers and (2) 8mm Flat Washers, **(Figure 2)**. Depending on model and year, the brake cable may be run on the inside or outside of the Bracket. Do not tighten hardware at this time. **NOTE:** The Cradle on the Front Mounting Bracket should face to the rear of the vehicle.
- Align the bottom holes in the front Mounting Bracket with the (2) holes in the pinch weld. Bolt the Bracket to the pinch weld using the included (2) 8mm x 30mm Hex Bolts, (2) 8mm Lock Washers, (4) 8mm Flat Washers and (2) 8mm Hex Nuts, **(Figure 2)**. **NOTE:** Insert the bolts up from the bottom of the pinch weld and through the Bracket.
- Repeat **Steps 2 – 4** for Rear Mounting Bracket installation. **NOTE:** The cradle on the Rear Mounting Bracket should face the front of the vehicle, **(Figures 3 & 4)**. The mounting holes will be the last set towards the back of the cab.
- Carefully position the Sidebar onto the Mounting Brackets and attach it using the included (4) 8mm x 25mm Hex Bolts, (4) 8mm Lock Washers and (4) 8mm Flat Washers, **(Figure 4)**. Do not tighten hardware at this time.

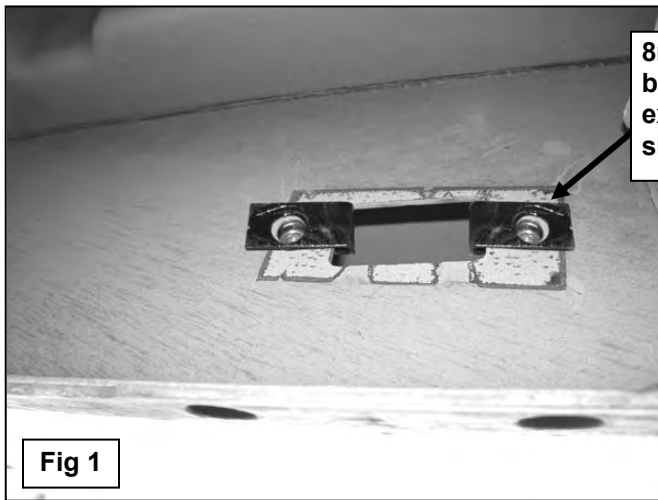
7. Level and adjust the Sidebar properly and tighten all hardware.
8. Repeat **Steps 2 – 7** for passenger Sidebar installation.
9. Do periodic inspections to the installation to make sure that all hardware is secure and tight.

To protect your investment, wax this product after installing. Regular waxing is recommended to add a protective layer over the finish. Do not use any type of polish or wax that may contain abrasives that could damage the finish.

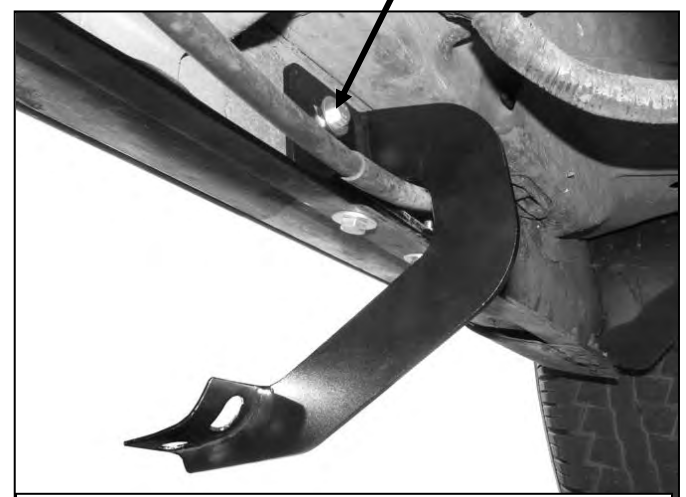
For stainless steel: Aluminum polish may be used to polish small scratches and scuffs on the finish. Mild soap may be used also to clean the Sidebar.

For gloss black finishes: Mild soap may be used to clean the Sidebar.

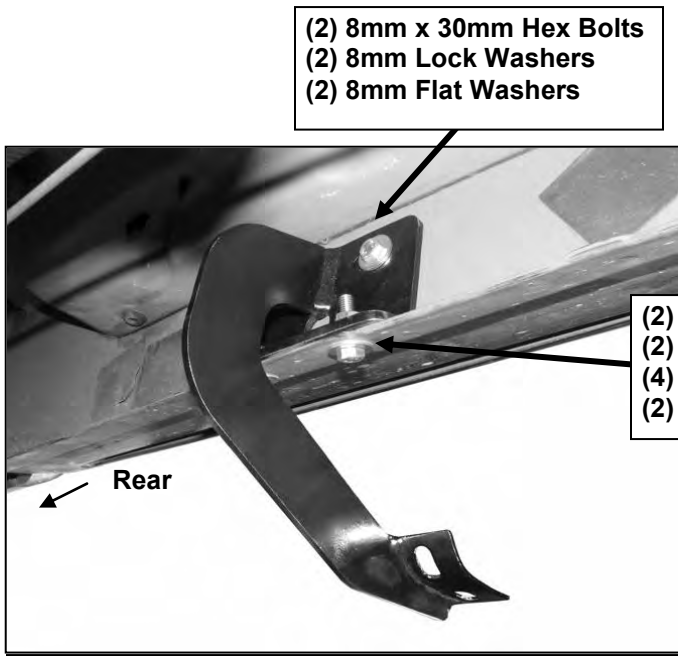
Driver Side Installation Pictured



- (2) 8mm x 30mm Hex Bolts
- (2) 8mm Lock Washers
- (2) 8mm Flat Washers



(Fig 2) Driver side-front Mounting Bracket location



(Fig 3) Driver side-rear Mounting Bracket location

- (2) 8mm x 25mm Hex Bolts
- (2) 8mm Lock Washer
- (2) 8mm Flat Washers

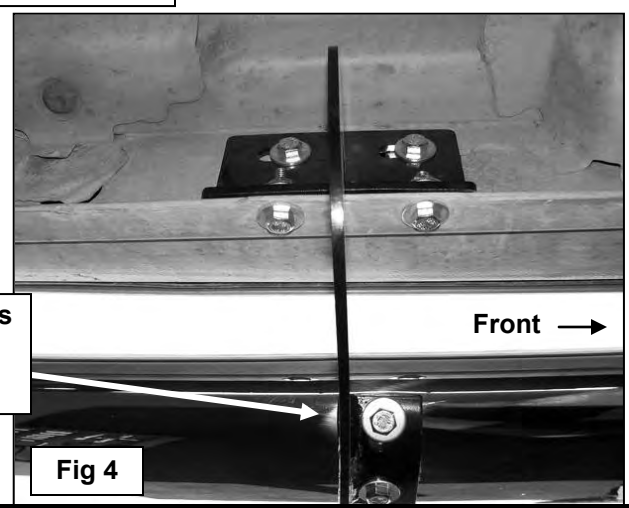


Fig 4